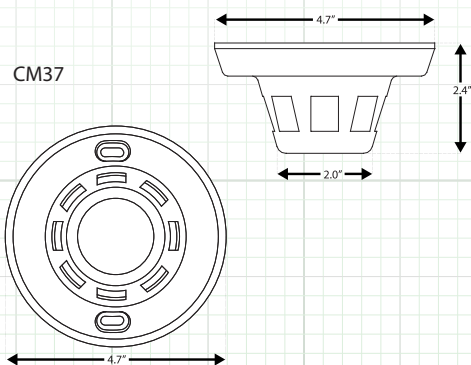


540 TV Line Discreet Camera Series

Side View Ceiling Mount Camera – Wall Mount PIR Detector Camera



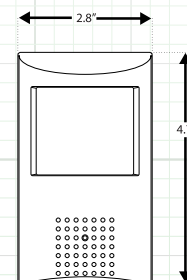
Discreet Ceiling Mount Camera



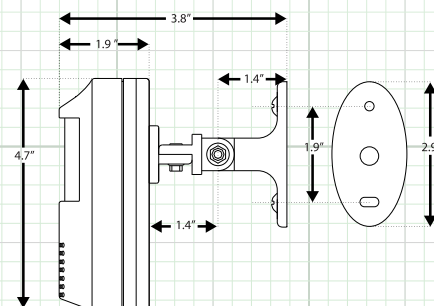
CM37



PIR37



Non-functioning PIR Detector



SPECIFICATION	CM37	PIR37
Image Sensor	1/3" Sharp High Resolution CCD	
TV System	NTSC	
Effective Pixels	768 (H) x 494 (V)	
Lens	3.7mm Fixed Focal Length (Pinhole Style)	
Maximum Aperture Ratio	F1.2	
Scanning System	2:1 Interlaced	
Sync System	Internal	
Video Output	1.0Vp-p 75ohm Composite	
Resolution	540 TV Lines	
Minimum Illumination	0.6 Lux	
S/N Ratio	More than 48dB	
Gamma Characteristic	0.45	
Electronic Shutter Speed	1/60 ~ 1/100,000 Second	
BLC (Backlight Compensation)	On (Factory Default)	
AGC (Automatic Gain Control)	On (Factory Default)	
AWB (Automatic White Balance)	On (Factory Default)	
AES (Automatic Electronic Shutter)	On (Factory Default)	
Power Requirement	12 Volts DC (Regulated)	
Power Consumption	75mA	
Operating Temperature	14°F ~ 122°F	
Weight	7.8oz.	9.6oz.
Housing	Polycarbonate (Off White)	
Dimensions	4.7" x 2.4"	4.9" x 2.2"

Note: Specification subject to change without notice

FEATURES

- ◆ 540 Lines of Resolution
- ◆ Auto White Balance
- ◆ Auto Back Light Compensation
- ◆ Auto Electronic Shutter
- ◆ Built-in 3.7mm Pinhole Lens
- ◆ 12 Volt DC Power Required
- ◆ For Indoor Use

INCLUDED ACCESSORIES

1. Camera User Manual
1. Mounting Screws (set)